

- ◆ 50 dB Input Isolation
- ◆ High Power Design
- ◆ Minimal RF Insertion Loss
- ◆ Rugged, High Reliability
- ◆ Low Passive IM., PIM
- ◆ RoHS compliant Design
- ◆ 7-16 or 4.3-10 connectors

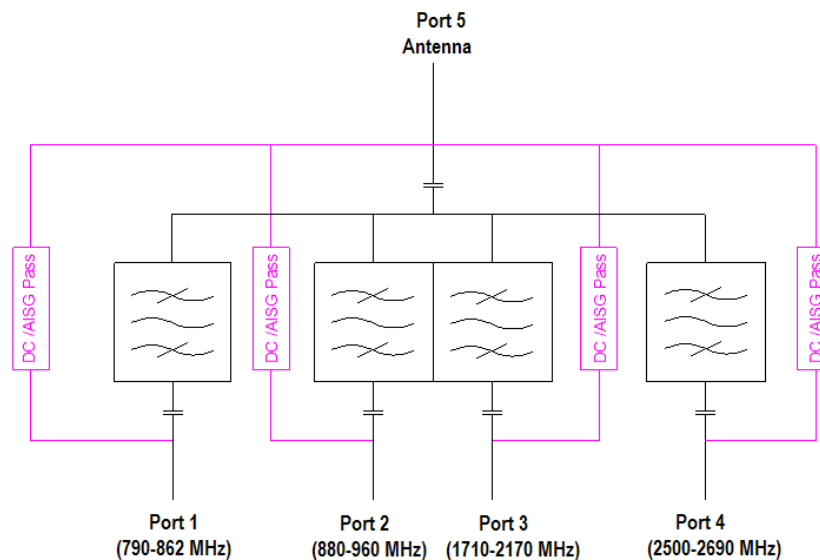


Model Number	Connectors Female	Weight, nom lb (kg)
<b>BK-98D</b>	7/16 DIN	8.5 (3.8)
<b>BK-98E</b>	4.3-10	8.5 (3.8)

The BK-98 Quadraplexer has been designed using passive, proprietary techniques to ensure minimal loss and very high reliability. It allows efficient combining or division of the standard cellular bands for use in a co-axial distributed cellular network or distributed antenna system (DAS.)

A simple bracket and tapped holes are provided for simple mounting to a flat surface or pole.

Frequency	Port 1:	790-862 MHz
	Port 2:	880-960 MHz
	Port 3:	1710-2170 MHz
	Port 4:	2500-2690 MHz
Power/Port:		250 W max.
Insertion Loss:		0.3 dB max.
Isolation:		50 dB min. with Port 5 Termination
Input VSWR:		<1.25:1, all inputs
DC/AISG Paths:		All By-Pass, 2.5A max.
Impedance:		50Ω nominal
Intermod. (PIM):		-161 dBc (IM <sub>3</sub> with 2 x +43dBm)
Surge Protection:		3kA using 10/350μs pulse
Environment:		-40° - +65°C, IP68
Housing:		Painted Passivated Aluminum

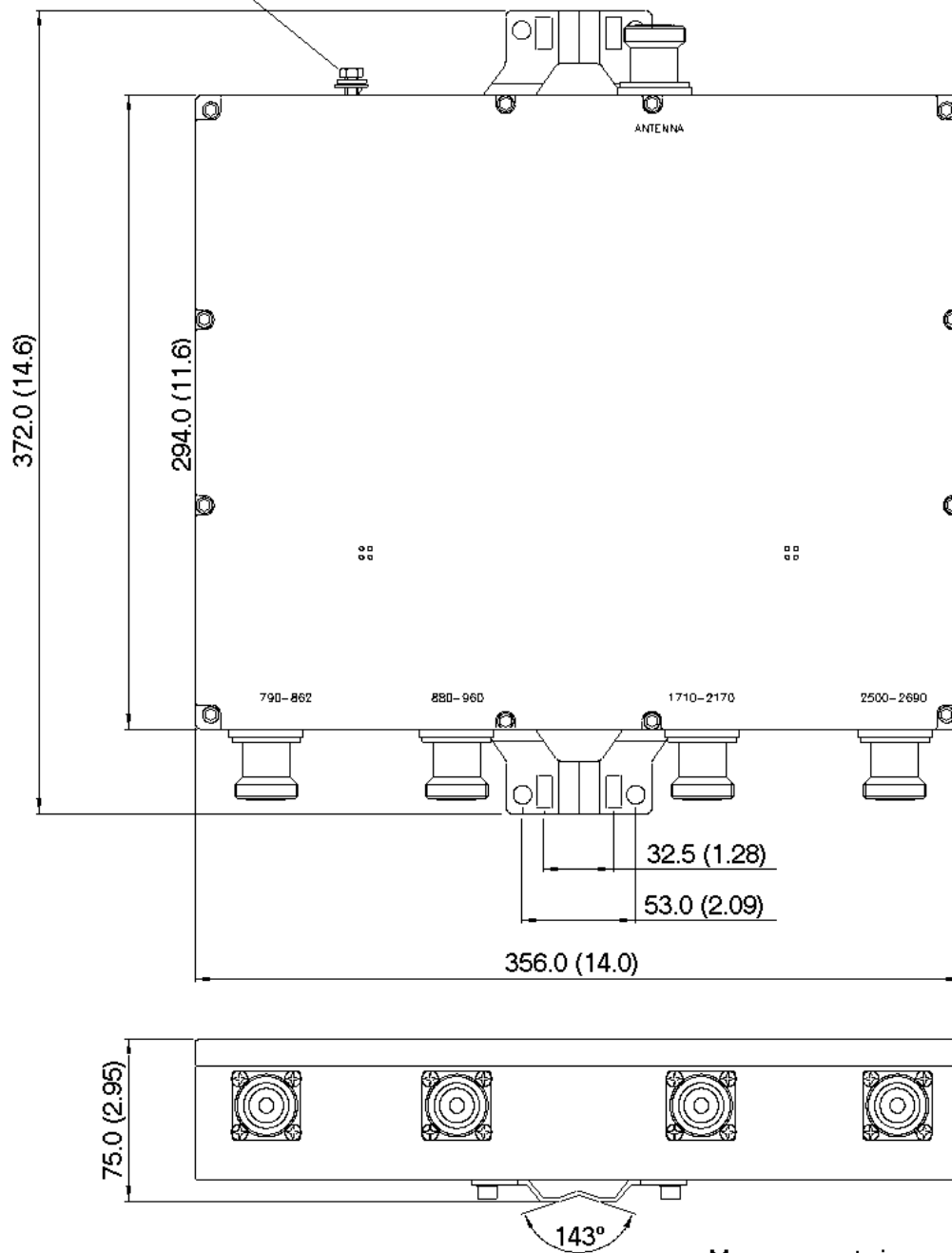


Note: Specifications are subject to change without prior notification.

18NOV2015

BK-98D Outline:

M6 x 1.0 Ground Screw



Measurements in mm (in)