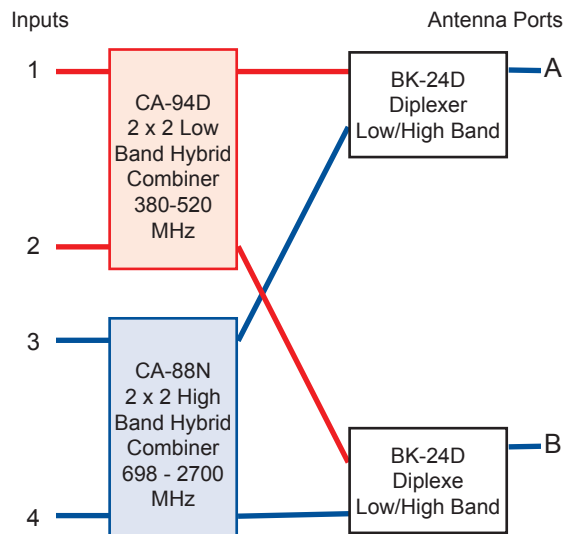


DCC Series® - Preliminary Data

- ◆ Input bands for Tetra, GSM, UMTS & LTE-2600: 380 to 520 and 698 to 2700 MHz
- ◆ Standard 1RU EIA Rack (1³/₄") or as KB-97D and KB-97N wall mounted unit
- ◆ 4 Inputs to 2 Combined Outputs
- ◆ Guaranteed PIM, and Low Loss
- ◆ High Reliability, RoHS, indoor environment
- ◆ Available with N or 7-16 mm connectors



These broadband RF Combiner Boxes have been designed to meet the neutral host needs of smaller in-building systems, with low passive intermodulation (PIM). The system combines up to 2 wireless carriers in two operating bands to 2 multiple antenna feeds or distribution cables. Through the use of hybrids and diplexers, the total loss for each path is less than 1.4dB, provided both outputs are utilized. Typical isolation between inputs in the same band is 25 dB, between bands 55 dB. Similar units may be ordered with N connectors as KM-97N or as wall mount KB-97D and KB-97N. (08/12)



| | |
|-----------------------|---|
| Inputs 1 & 2: | 380 - 520 MHz |
| Inputs 3 & 4: | 698 - 2700 MHz |
| In Band Isolation: | Within Low Band: >22 dB Within High Band: >16 dB, except in band 960-1500 MHz >12 dB |
| Intra Band Isolation: | >50 dB 380-520 MHz >40 dB 698-800 MHz >50 dB 800-2500 MHz >30 dB 2500-2700 MHz |
| Input Return Loss: | >13 dB (>17 dB typical) |
| Output Return Loss: | >14 dB (except 960-1500 MHz >12dB) |
| Coupling (In-Out): | 3.5 ± 0.5 dB (380-520 MHz) 3.7 ± 0.7 dB (698-2700 MHz) |
| Power per input: | <100W avg., 3 kW peak |
| Total power in: | <200W average |
| Impedance: | 50Ω nominal |
| Environment: | -15°C to +65°C, Indoor |
| PIM (Intermod): | <-142 dBc (+43dBm x2) |
| Finish: Housing: | RoHS coated aluminum |
| Connectors: | Triplate, 7-16 mm DIN |
| Weight: | 22 lbs (10 kg) nominal |

Outline of Similar Unit

