

- ◆ Directional Antenna for all common wireless carrier bands from 698-960MHz and 1710-2700MHz
- ◆ Mast Mount or Wall Mount
- ◆ High Gain and Stable Performance
- ◆ Up to 50 Watts Average Power
- ◆ SAR tested to EN50385:2002
- ◆ Simple, Cost Effective Design
- ◆ For Indoor and Outdoor Deployments

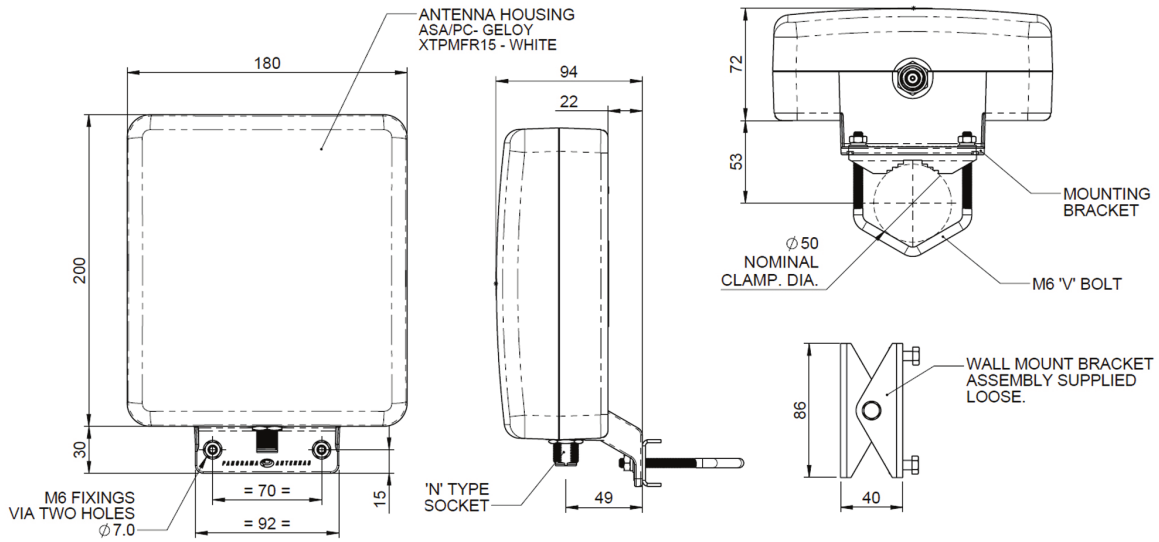


The YA-20NF is an attractive Low PIM Directional antenna. These antennas are popular for propagating wireless signals in distributed antenna systems, (DAS). This wideband antenna covers all common wireless and WiFi bands in the range of 698 to 6000 MHz such as 700, 800, 850, 900, 1700, 1800, 1900, 2100, 2400, and 2600. This model is weather resistant.

The antenna is supplied with Pole and Wall mounting brackets. (6/15)

Frequency Bands:	
Band 1:	698-960 MHz
Band 2:	1710-2700 MHz
Nominal Peak Gain:	6.5 dBi @698-960 MHz 9 dBi @1710-2170 MHz 6 dBi @2400-2700 MHz
VSWR:	<2:1 typ.
Radiation Pattern:	Directional
Polarisation:	Vertical
Input Power:	50W max
Intermod. (PIM):	<-140 dBc max (test with 2 x +43 dBm tones)
Environment:	-30° to +70°C, operational, IP67
Material:	White, ASA
Antenna Dimensions:	
Height:	9.1 in (230 mm)
Width:	7.1 in (180 mm)
Length:	3.7 in (94 mm)
Connectors:	N-type female
Mounting:	M6 Fixings, Wall and Pole Mount Brackets
Pole Diameter:	0.8-1.96 in (20-55 mm)

## YA-20NF Outline



All dimensions in mm unless otherwise stated

## Polar Radiation Plots

